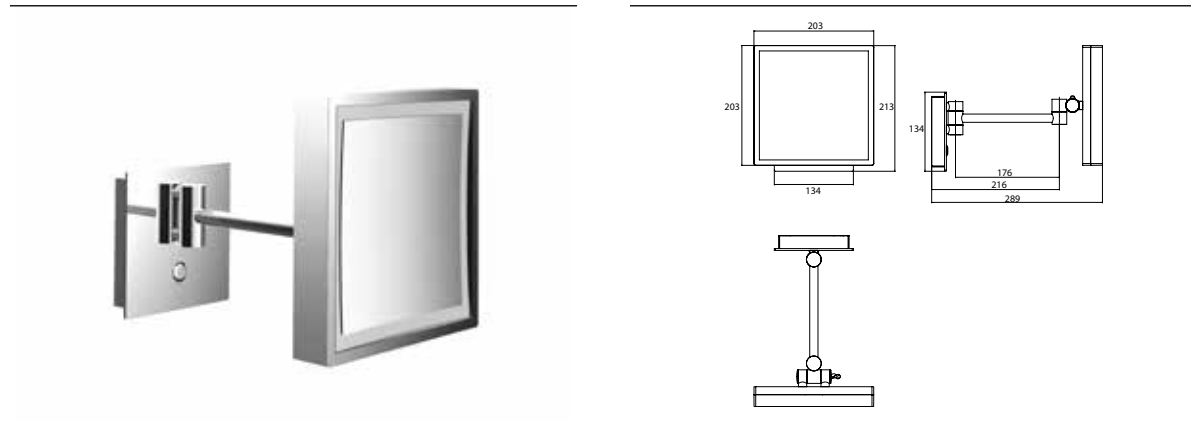


## LED-Shaving and cosmetic mirror black



### Art.No.1094 133 09

with illuminated touch sensor (On/Off, Colour change) and direct connection, one arm, square, 203 x 203 mm, 3 magnifying glass, energy efficiency grade: A-A++