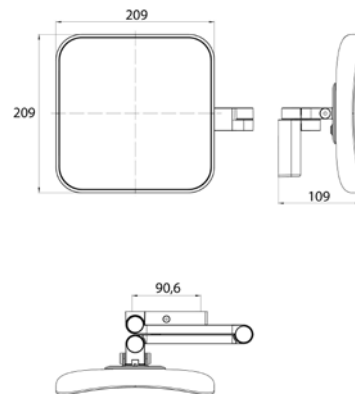


LED Shaving- and cosmetic mirror, square, wall mounted, two swivel arms 5-times, chrome



Art.No.1095 060 50

2 switches (brightness and luminous colour cold/warm continuously dimmable), energy efficiency grade: A - A++